

# Exhaust pipe connectors



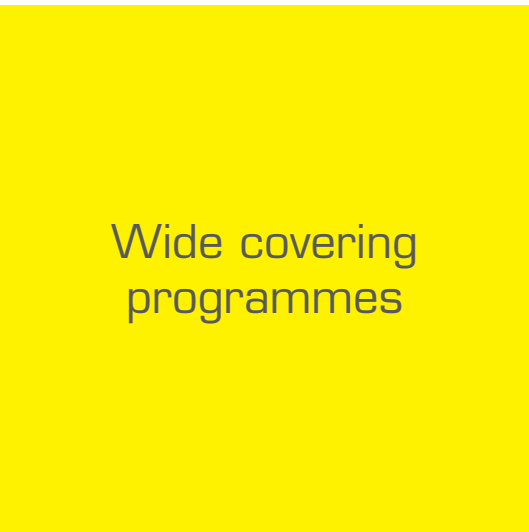
# Much **more** than just a spare part



OE quality



Wide covering programmes



## Who are we - and what can we do?

Triscan is a 100% Danish company that has gained a strong position in the Scandinavian market and achieved heavily increasing sales in the rest of Europe. This position has been reached through creation of concepts, marketing and distribution of automotive spare parts for the professional free aftermarket.

- Fast delivery of the right parts
- Online ordering via TriWeb/TecCom
- High order fill
- More than 50,000 references
- 48 product groups
- Extensive quality assurance

Every day goods are delivered from Triscan's 3 distribution centers in Brabrand, Glostrup as well as Iserlohn in Germany - to 39 markets in Europe.



Brabrand, DK



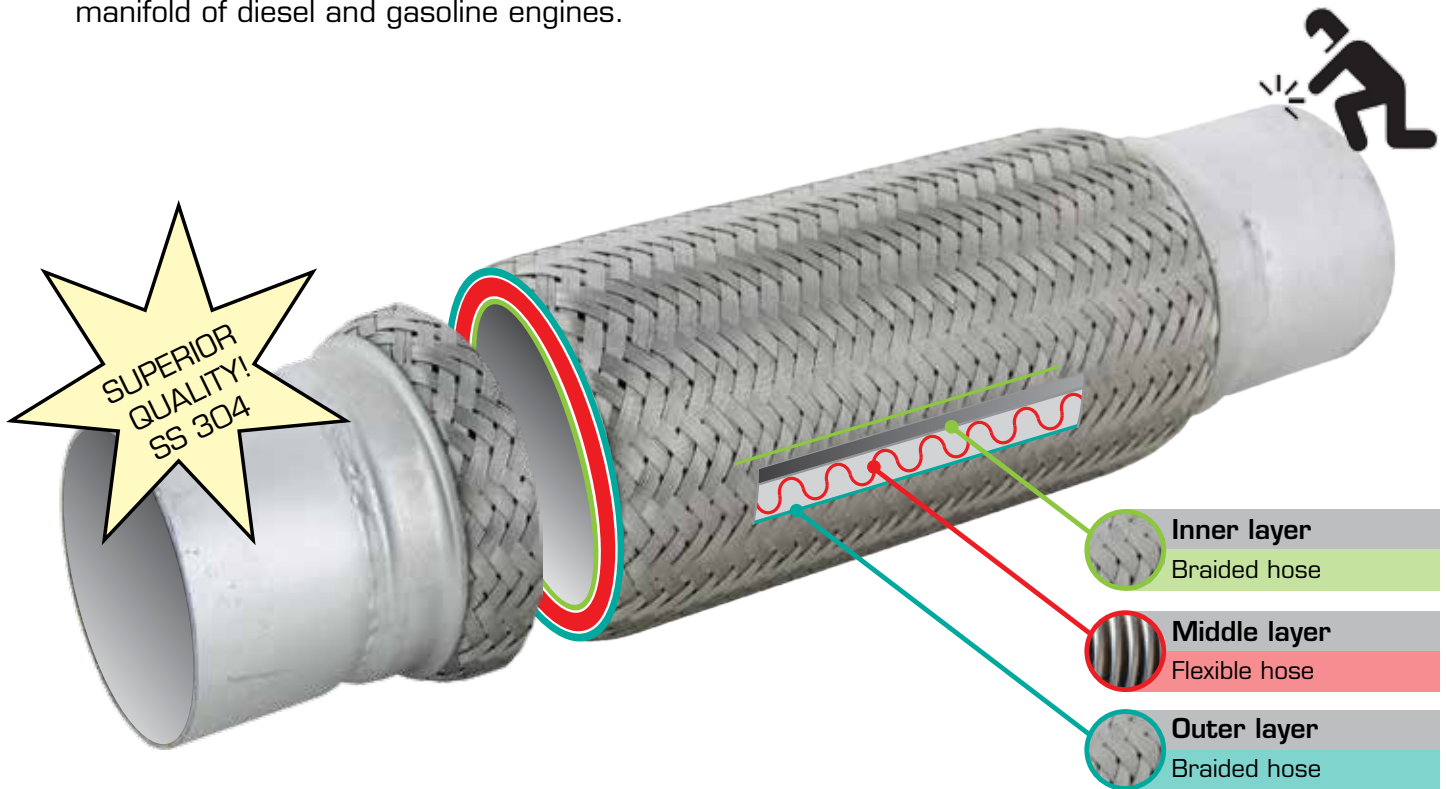
Glostrup, DK



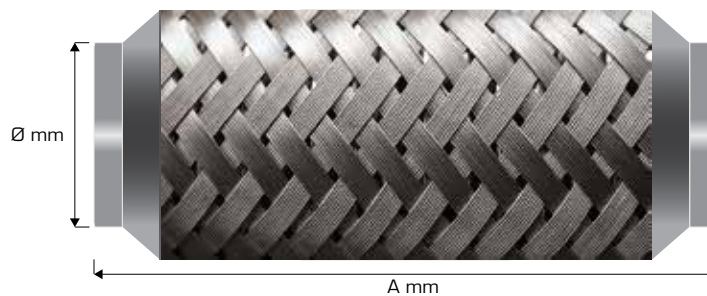
Iserlohn, D

## Flexible connectors

Triscan flexible connectors for welding are used in the catalyts and manifold of diesel and gasoline engines.

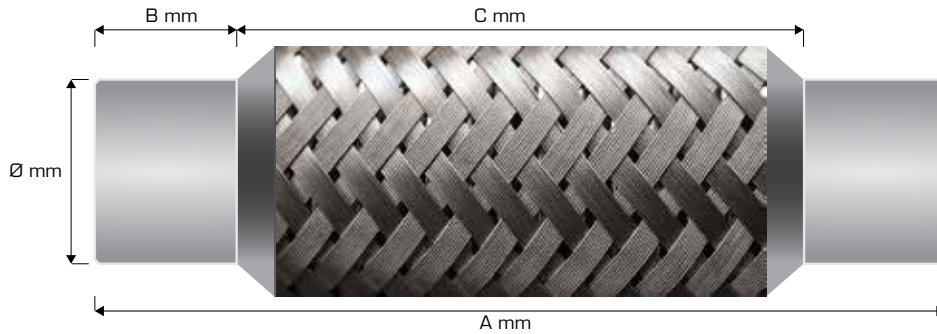


## Flexible connectors with short branches



ARTICLE NO.	Ø	A	BOSAL	JP Group	SWG	HJS	WALKER
700010008	42	160					
700010040	45	100	265-305	9924202500	88397000675	83008506	10400
700010041	45	150	265-307	9924202800	88397000175	83008507	10401
700010042	45	200	265-309	9924201600	88397000275	83008511	10406
700010050	51	100	265-315	9924200500	88397001175	83008514	10385
700010051	51	150	265-317	9924201500	88397001075	83008557	10408
700010052	51	200	265-319	9924202000	88397001375	83008515	10410
700010079	51	250	265-325	9924203100	88397000975	83008503	08933
700010060	57	100	265-327	9924202900	88397002175	83008518	08942
700010061	57	150	265-329	9924203200	88397001875	83008523	08939
700010062	57	200	265-331	9924203300	88397001975	83008519	08937

**Flexible connectors with long branches**

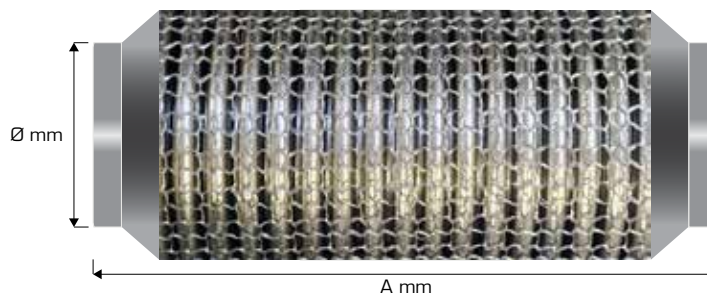
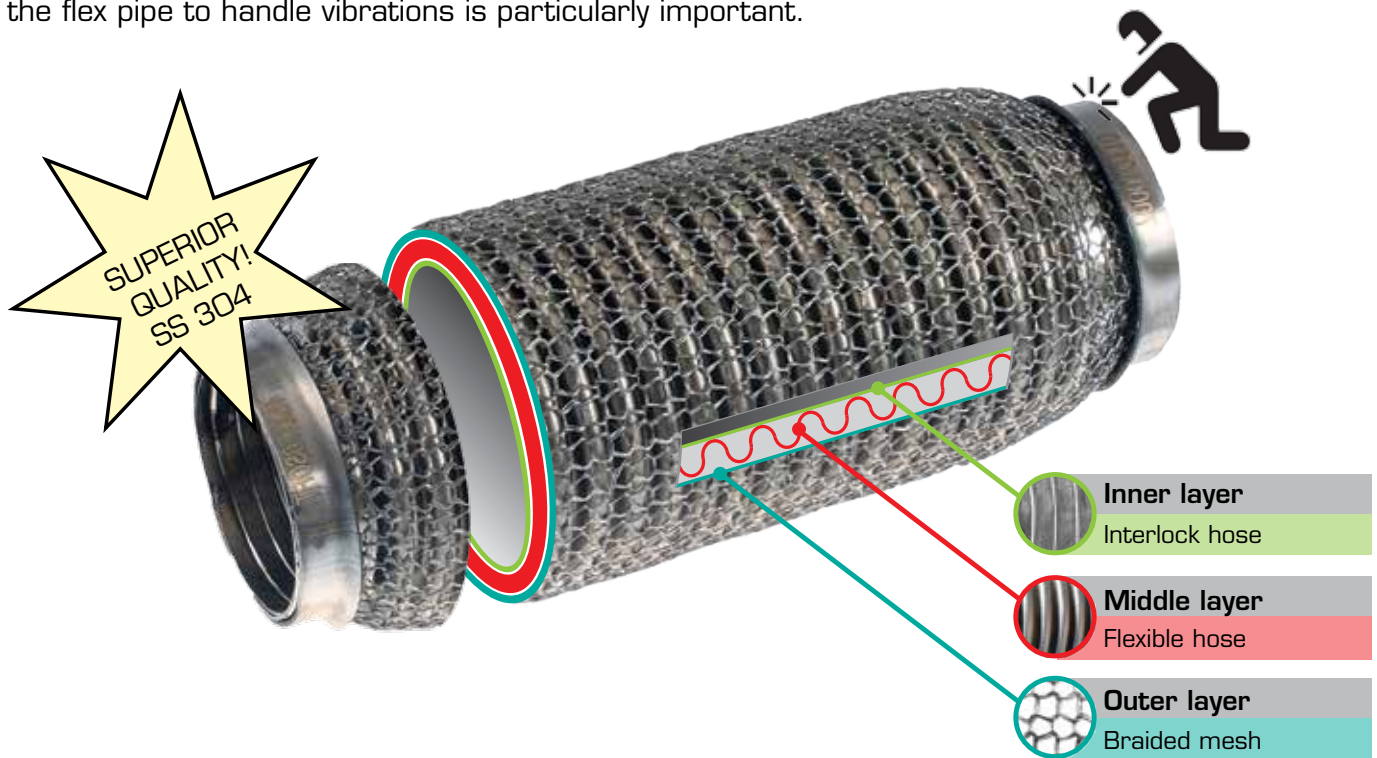


ARTICLE NO.	Ø	A	B	C	BOSAL	JP Group	SWG	HJS	WALKER	ERNST
700010078	42	275	62,5	150				83008530		460064
700010009	45	200	50	100						
700010010	45	250	50	150						
700010011	45	300	50	200	265-701	9924400900	88397003275	83008535		
700010012	45	330	50	230	265-703	9924401000	88397003375		08920	
700010013	45	350	50	250	265-703	9924401000	88397003375	83008536		460651
700010014	51	200	50	100		9924402000	88397003875			
700010015	51	250	50	150						460644
700010016	51	300	50	200	265-707	9924400800	88397003975	83008542	10382	
700010017	51	330	50	230	265-719	9924401900	88397003775	83008543	10398	
700010018	51	350	50	250				83008543		
700010019	55	200	50	100						
700010020	55	250	50	150						
700010021	55	300	50	200	265-727			83008546		
700010022	55	330	50	230	739-137			83008547		
700010023	55	350	50	250				83008547		
700010024	57	200	50	100		9924400100			10413	
700010025	57	250	50	150						
700010026	57	300	50	200				83008550		
700010028	57	330	50	230						
700010029	57	350	50	250						
700010030	60	200	50	100						
700010031	60	250	50	150						
700010032	60	300	50	200						
700010033	60	330	50	230						
700010034	60	350	50	250						
700010001	63	200	50	100						
700010002	63	250	50	150		9924400700			12272	
700010003	63	300	50	200						
700010004	63	330	50	230						
700010005	63	350	50	250						
700010035	75	200	50	100						
700010036	75	250	50	150						
700010037	75	300	50	200						
700010038	75	330	50	230						
700010039	75	350	50	250						

## Flexible connectors - softflex

Triscan flex pipes of the softflex type for welding are used in connection with catalysts and manifolds for diesel and gasoline engines.

Softflex type flex pipes should be used in cases where the ability of the flex pipe to handle vibrations is particularly important.



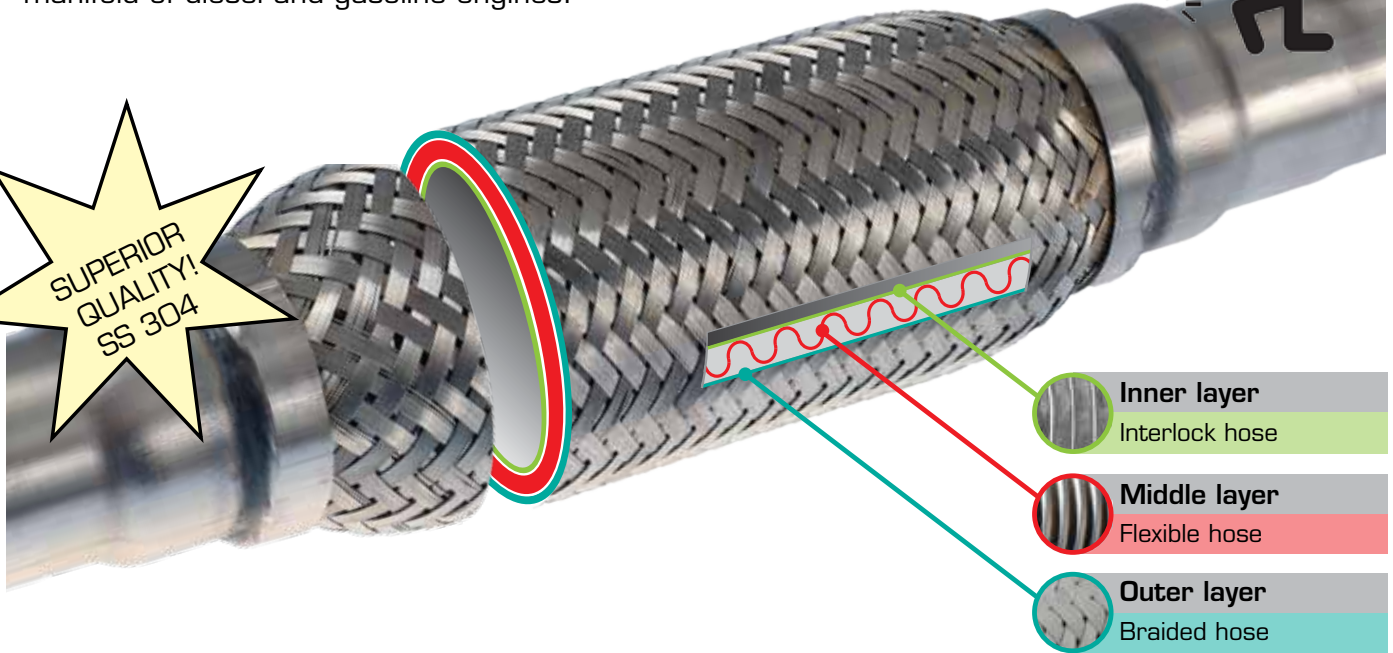
ARTICLE NO.	Ø	A	BOSAL	JP Group	SWG	HJS	ERNST
700010110	45	170		9924102000	88397050375	83008572	460620
700010111	45	200	265-539	9924102100		83008573	
700010112	45	250	265-543	9924101700	88397050075	83008576	
700010113	50	100		9924102300			
700010114	50	200	265-537	9924101800	88397050175	83008575	464017
700010115	55	100		9924102400			
700010116	55	200	265-541	9924102200			464253
700010117	60	180	265-545	9924101900	88397050275	83008578	464079




**Uniflex connectors - interlock**

Triscan flexible connectors for welding are used in the catalyts and manifold of diesel and gasoline engines.

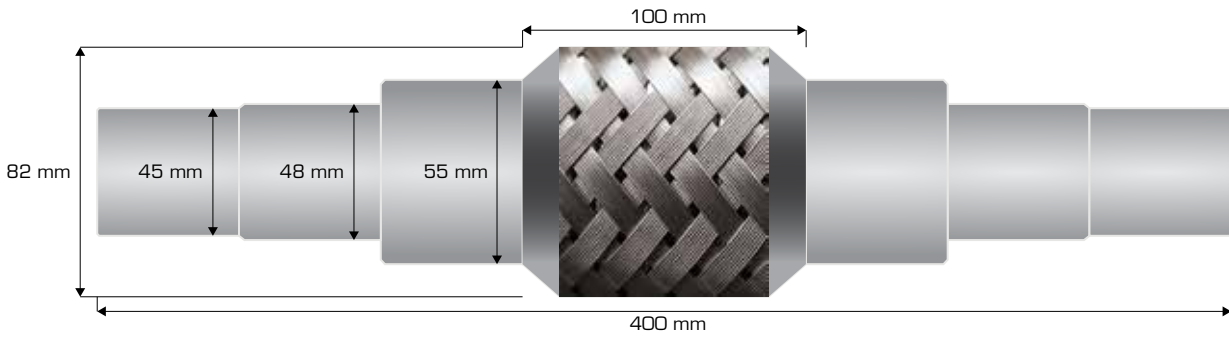


**SUPERIOR QUALITY!  
SS 304**

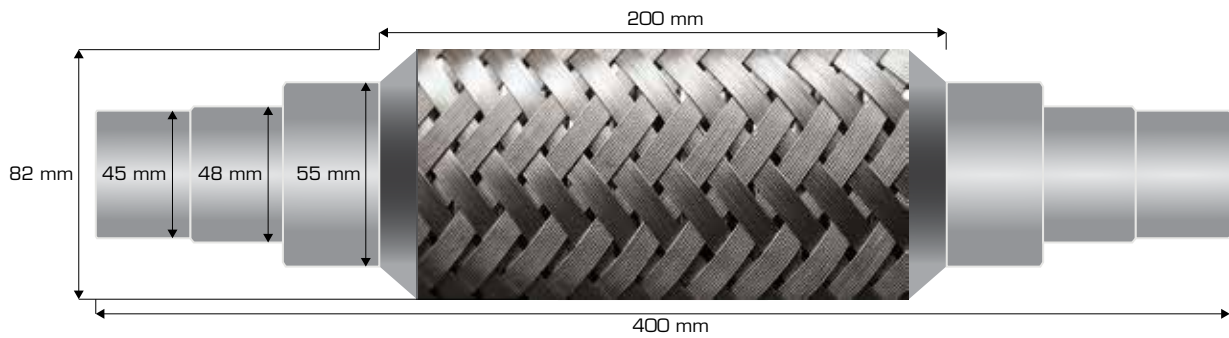


-  Inner layer  
Interlock hose
-  Middle layer  
Flexible hose
-  Outer layer  
Braided hose

ARTICLE NO.	BOSAL	JP Group	SWG	HJS	ERNST
700010077	265-003	9924600100		83008565	460668

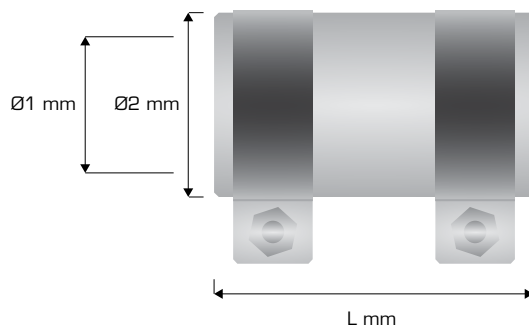


ARTICLE NO.	BOSAL	JP Group	SWG	HJS	ERNST
700010100	265-005	9924600200	88397005275	83008566	460675



## Connectors with clamps

Triscan connectors with clamps are used in connection with assembly as well exhaust system repair and is made of galvanized steel.



ARTICLE NO.	Ø1	Ø2	L	BOSAL	JP Group	HJS	WALKER	ERNST
700010065	38	42,5	95	265-135		83003809		111539
700010067	40	43,5	125					
700010063	43	46,7	90	265-125	1121500100			
700010073	43	46,7	125					
700010064	46	50,5	95	265-129	1121400500	83122857	80713	142588
700010066	47	50,5	125	265-619		83004512	80712	142588
700010097	48	52,5	95					
700010068	50	54,5	80	265-459		83112089	86150	223447
700010099	50	54,5	90	265-833	1121401000	83122858	86152	
700010074	50,5	54,5	125					
700010069	51	54,5	95					
700010070	52	56,5	90	265-505		83005209	86130	290500
700010096	52	56	125					
700010075	53	56,5	125					
700010098	54	58,5	125	265-621		83111795	80138	
700010071	56	60	95	265-827	1121401300	83122860	80250	223416
700010072	61	64,5	95	265-955	1121401500	83111374		
700010076	61	64,5	125	265-829	1121401600		82166	223539

**TRISCAN**  
s m a r t p a r t s

Triscan a/s  
Engmarken 11, DK-8220 Brabrand  
Tel.: +45 87 43 33 33  
E-mail: [auto@triscan.dk](mailto:auto@triscan.dk)  
[www.triscan.com](http://www.triscan.com)

